

DRILL 2 x $\varnothing 0.8\text{mm}$ HOLES FOR STIRRUP STEPS USING THESE DIMENSIONS AS A GUIDE. TYPICAL TO ALL 4 CORNERS OF WAGON.

CLEAN OUT CAST ON BRACKETS AND DRILL A $\varnothing 0.5\text{mm}$ HOLE THROUGH CENTRE SILL FOR GRADE CONTROL LINE AND HANDLE AND FORM FROM $\varnothing 0.5\text{mm}$ WIRE

CLEAN OUT CAST ON BRACKETS AND DRILL A $\varnothing 0.5\text{mm}$ HOLE THROUGH CENTRE SILL FOR RATCHET HANDLE

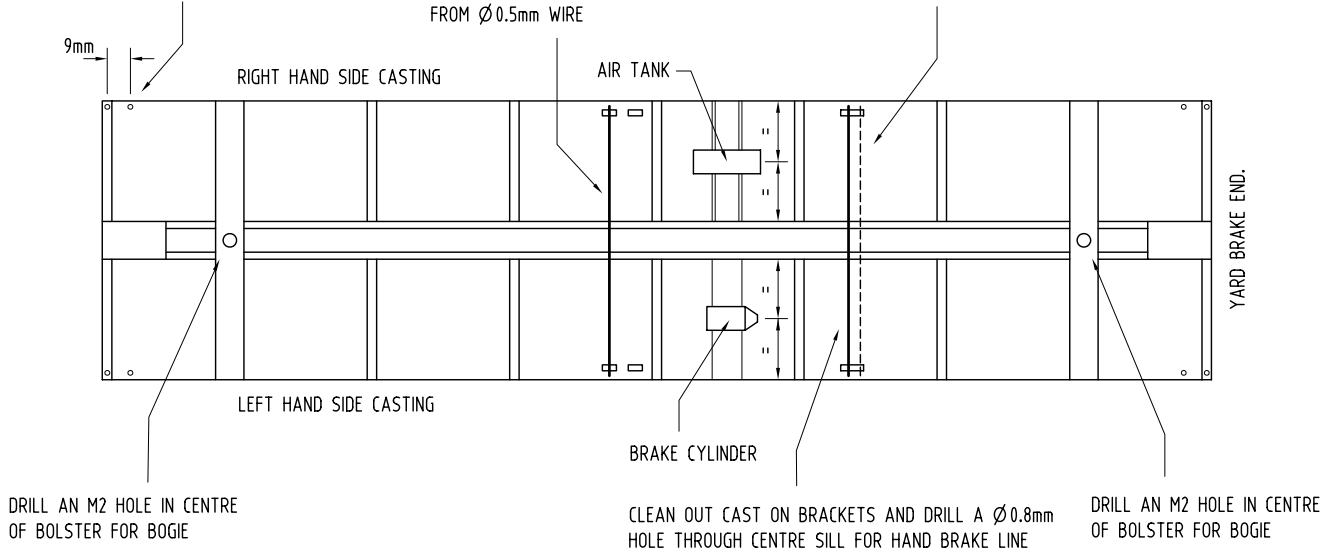


FIGURE 3

FLOOR CASTING
not to scale

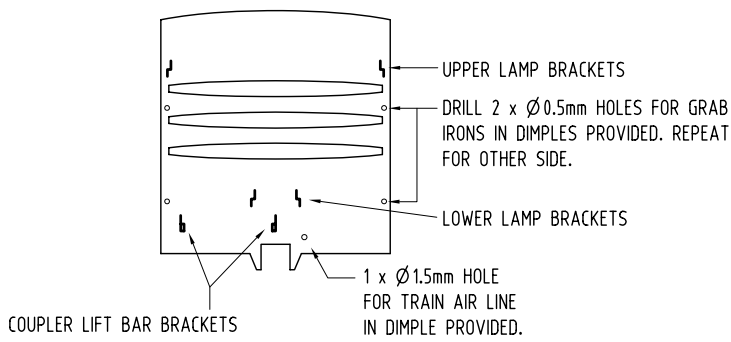


FIGURE 4

END CASTING
not to scale

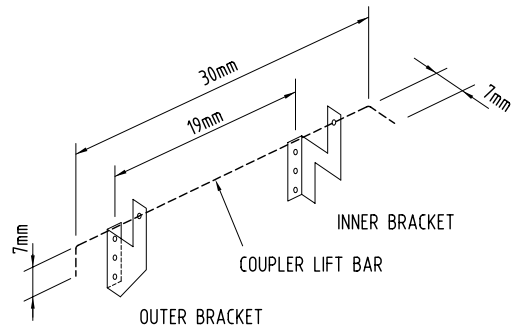


FIGURE 5

COUPLER LIFT BAR ARRANGEMENT
not to scale