

FIGURE 6

LADDER ARRANGEMENT
not to scale

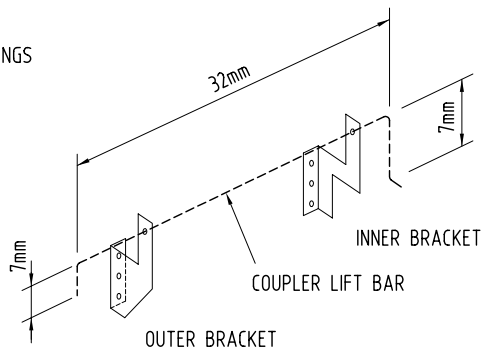


FIGURE 7

COUPLER LIFT BAR ARRANGEMENT
not to scale

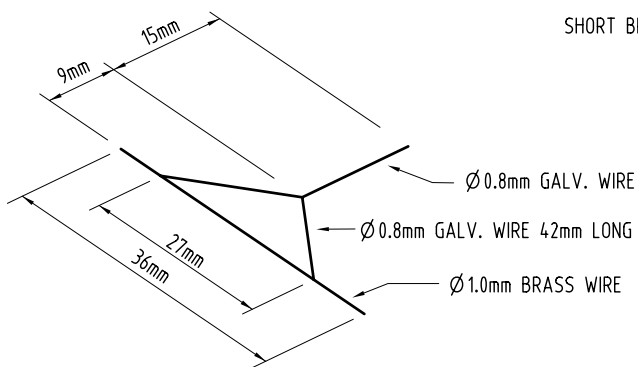


FIGURE 9

BRAKE PULLER BRACKET
not to scale

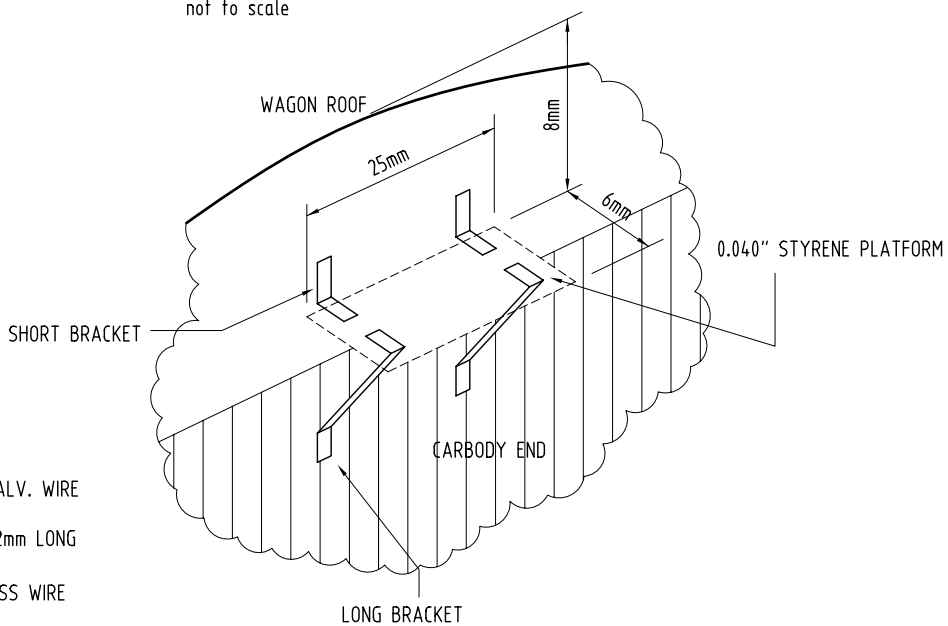


FIGURE 8

END PLATFORM ARRANGEMENT
not to scale

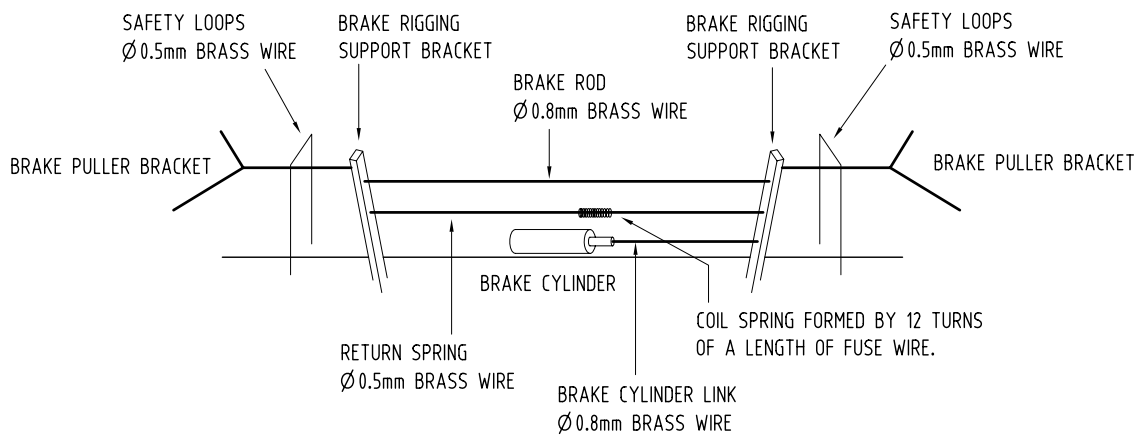


FIGURE 10

BRAKE RIGGING ARRANGEMENT
not to scale